

HD29026A/HD29027

Dual CCD Drivers

REJ03D0302-0200Z
 (Previous ADE-205-001 (Z))
 Rev.2.00
 Jul.16.2004

Description

HD29026A and HD29027 include two on-chip drivers on a single chip, making it the optimal choice as a CCD driver. Operation is provided with a TTL level input, and output current of 1 A is available for both sink and source.

Features

- High speed output rise and fall (20 ns typ) at load capacitance (C_L) of 1000 pF
- Direct drive of input block by TTL eliminates the need for external components
- Output swing voltage of 12 V; output current of 1 A available for both sink and source
- Output wave cross point 50% typ
- Ordering Information

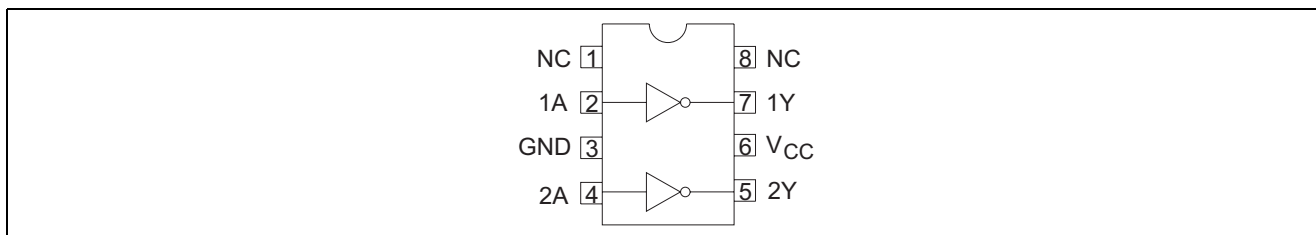
Part Name	Package Type	Package Code	Package Abbreviation	Taping Abbreviation (Quantity)
HD29026AFPEL	SOP-8 pin (JEITA)	FP-8DGV	FP	EL (2,500 pcs/reel)
HD29027FPEL	SOP-8 pin (JEITA)	FP-8DGV	FP	EL (2,500 pcs/reel)

Function Table

Input A	Output Y
H	L
L	H

Note: H: High level
 L: Low level

Pin Arrangement



Absolute Maximum Ratings

Item	Symbol	Rating	Unit	
Supply voltage	HD29026A	V_{CC}^{*1}	15	V
	HD29027		10	
Input voltage	V_I	7	V	
Output peak current	$I_{O(peak)}$	± 1	A	
Operating temperature range	T_a	-20 to +75	$^{\circ}C$	
Storage temperature range	T_{stg}	-65 to +150	$^{\circ}C$	
Junction temperature	T_J	150	$^{\circ}C$	
Total dissipation	P_T^{*2}	0.735	W	

- Notes: 1. If no value is specified, the voltage is defined by the GND pin.
 2. Value when $T_a = 25^{\circ}C$. Heat dissipation is required for large-capacitance, high-frequency drivers, so derating of 5.9 mW/ $^{\circ}C$ are required.

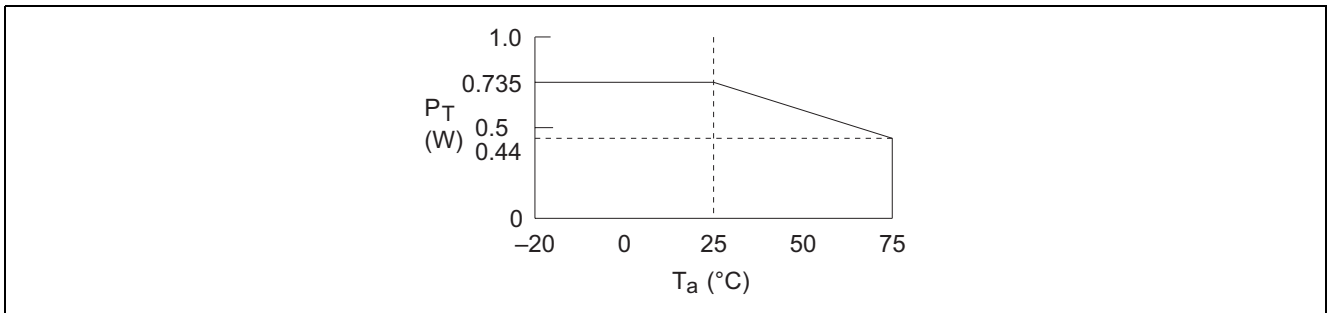


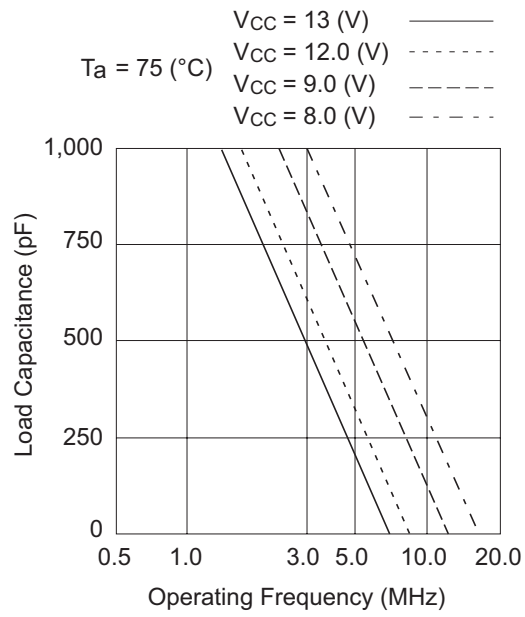
Figure 1 Package Derating Curves

Recommended Operating Conditions

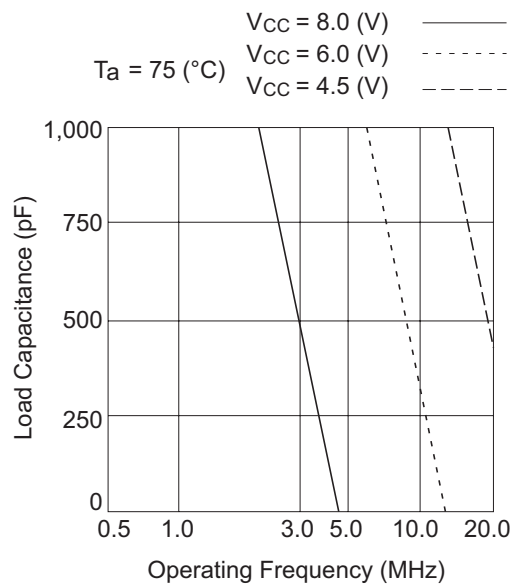
Item	Symbol	Min	Typ	Max	Unit	
Supply voltage	HD29026A	V_{CC}	8	12	13	V
	HD29027	V_{CC}	4.5	6	8	
Operating temperature	T_a	-20	25	75	$^{\circ}C$	

Recommended Operating Frequency Area

HD29026A



HD29027



Electrical Characteristics (Ta = -20 to +75°C)

Item		Symbol	Min	Typ	Max	Unit	Test Conditions
Input voltage		V _{IH}	2.0	—	—	V	
		V _{IL}	—	—	0.6		
Output voltage		V _{OH}	V _{CC} -1	—	—	V	V _{IL} = 0.6 V, I _{OH} = -1 mA
		V _{OL}	—	—	0.5		V _{IH} = 2.0 V, I _{OL} = 1 mA
Input current		I _{IH}	—	—	20	μA	V _I = 2.7 V
	HD29026A	I _{IL}	—	—	-100		V _I = 0.4 V
	HD29027		—	—	-200		
Supply current	HD29026A	I _{CCH}	—	—	12	mA	
	HD29027		—	—	20		
	HD29026A	I _{CCL}	—	—	20		
	HD29027		—	—	30		
Input current		I _I	—	—	100	μA	V _I = 7 V
Input clamp voltage		V _{IK}	—	—	-1.5	V	I _{IN} = -18 mA

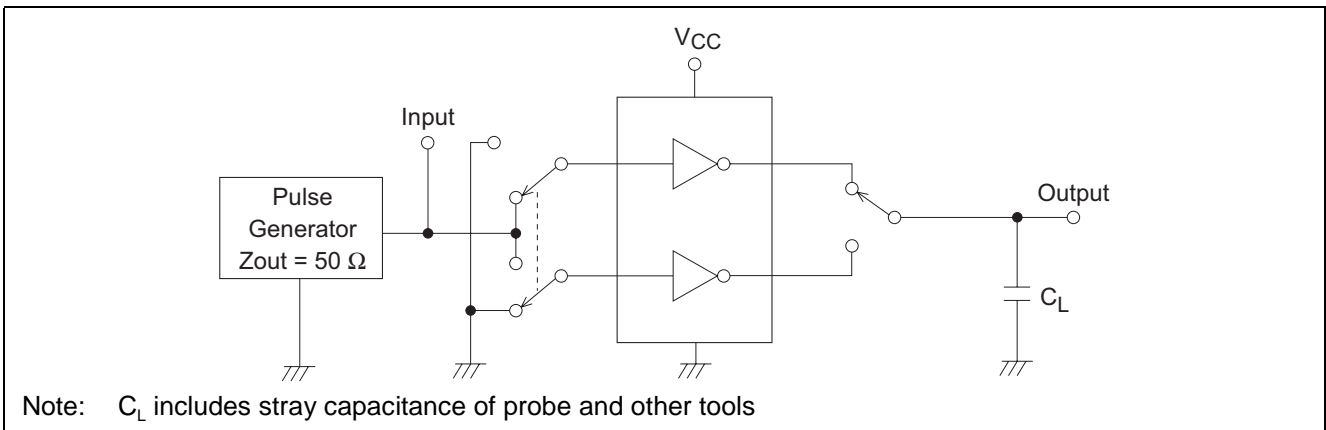
Note: HD29026A: V_{CC} = 8 to 13 V
 HD29027: V_{CC} = 4.5 to 8 V

Switching Characteristics (Ta = 25°C)

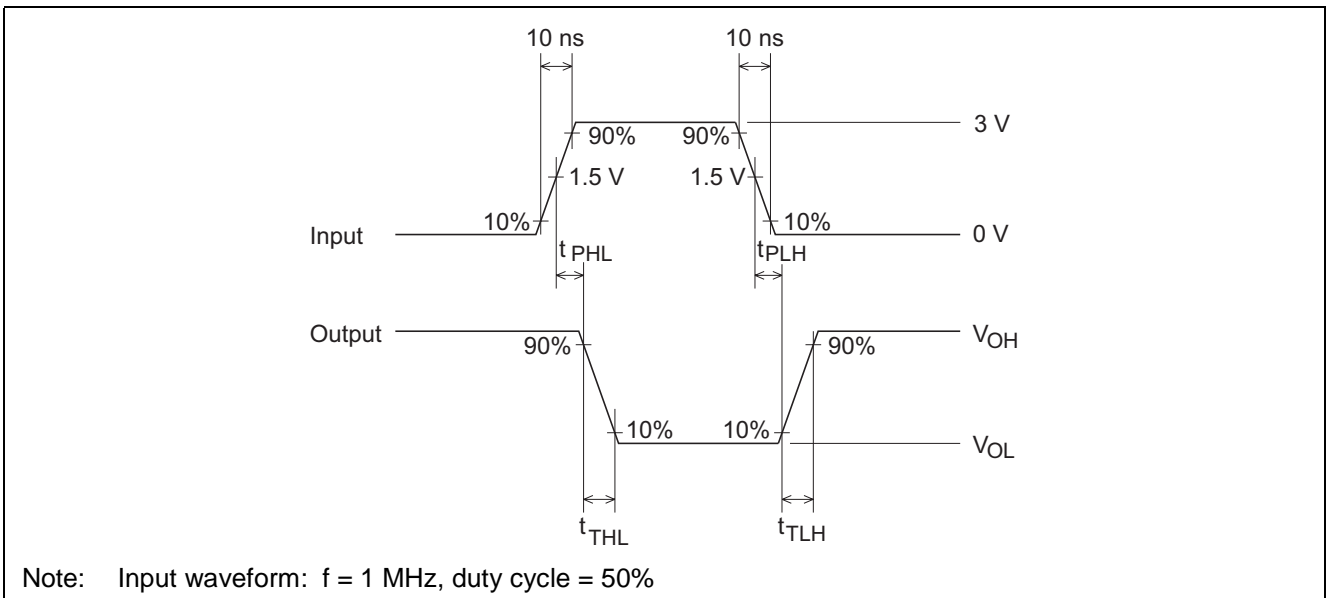
Item		Symbol	Min	Typ	Max	Unit	Test Conditions	
Fall propagation delay time	HD29026A	t _{PHL}	—	16	20	ns	C _L = 1000 pF	V _{CC} = 8 V
			—	11	15			V _{CC} = 12 V
	HD29027		—	10	15			V _{CC} = 6 V
Rise propagation delay time	HD29026A	t _{PLH}	—	18	25	ns	C _L = 1000 pF	V _{CC} = 8 V
			—	13	20			V _{CC} = 12 V
	HD29027		—	10	15			V _{CC} = 6 V
Fall (transition) time	HD29026A	t _{THL}	—	17	21	ns	C _L = 250 pF	V _{CC} = 8 V
			—	12	16			V _{CC} = 12 V
			—	9	14			V _{CC} = 6 V
	HD29026A		—	20	23		CL = 500 pF	V _{CC} = 8 V
				15	18			V _{CC} = 12 V
	HD29027		—	12	17		V _{CC} = 6 V	
	HD29026A		—	25	40		C _L = 1000 pF	V _{CC} = 8 V
				20	35			V _{CC} = 12 V
				20	25			V _{CC} = 6 V
Rise (transition) time	HD29026A	t _{TLH}	—	15	20	ns	CL = 250 pF	V _{CC} = 8 V
			—	10	15			V _{CC} = 12 V
			—	9	14			V _{CC} = 6 V
	HD29026A		—	21	25		C _L = 500 pF	V _{CC} = 8 V
				16	20			V _{CC} = 12 V
	HD29027		—	12	17		V _{CC} = 6 V	
	HD29026A		—	22	30		C _L = 1000 pF	V _{CC} = 8 V
				17	25			V _{CC} = 12 V
				20	25			V _{CC} = 6 V

Switching Time Test Method

Test circuit



Waveforms



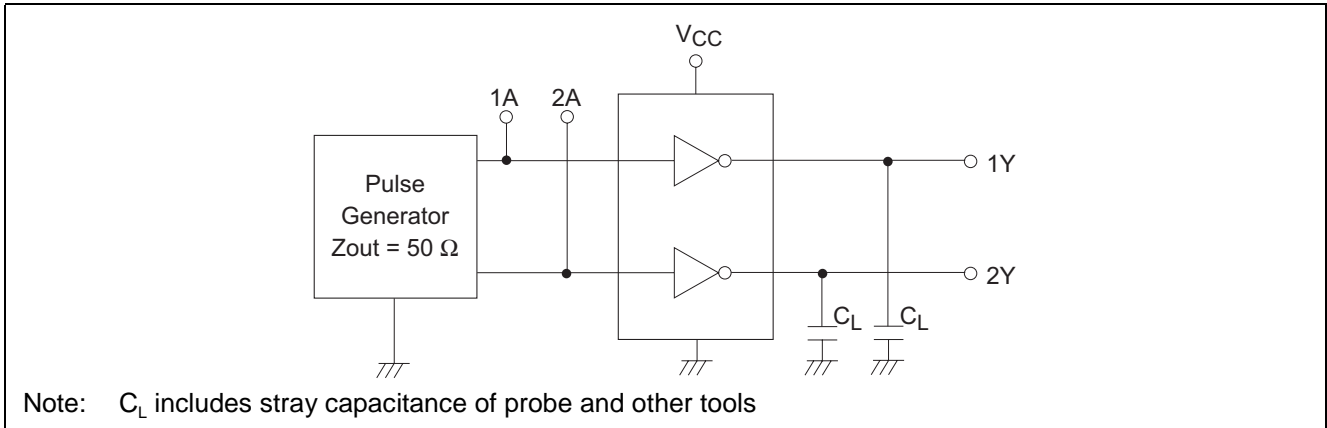
Output Timing Characteristics (Ta = 25°C)

Item	Symbol	Min	Typ	Max	Unit	Test Conditions
Output wave cross point	V _x	30	50	70	%	C _L = 250 pF
		30	50	70		C _L = 500 pF
		30	50	70		C _L = 1000 pF

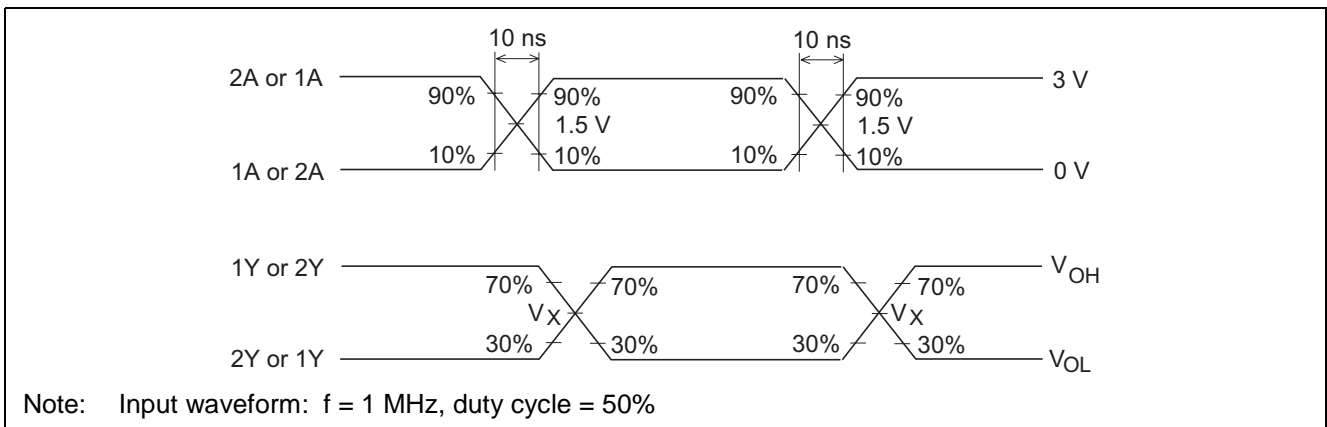
HD29027; V_{CC} = 6 V

Output Timing Characteristics Test Method (HD29027)

Test circuit

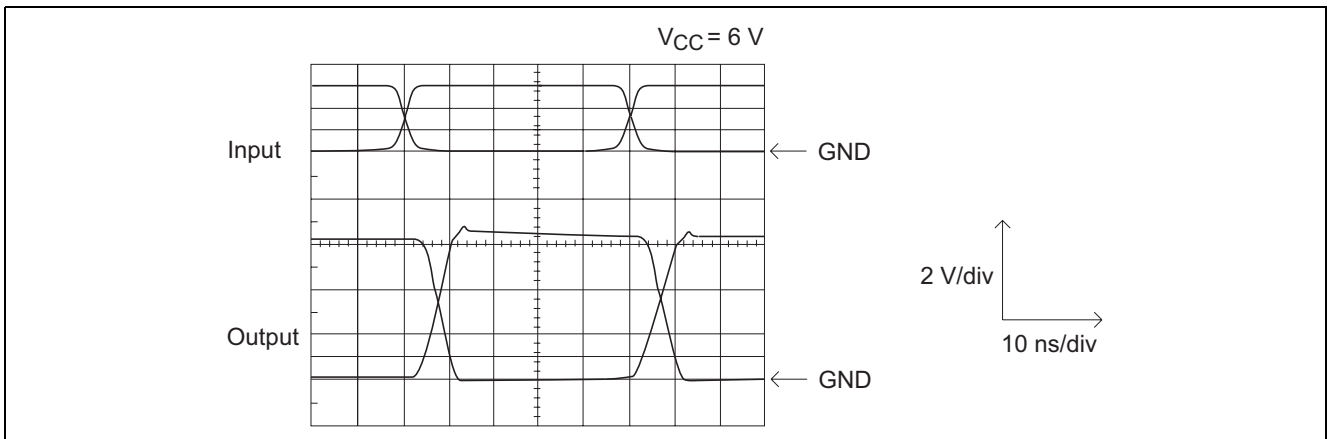


Waveform



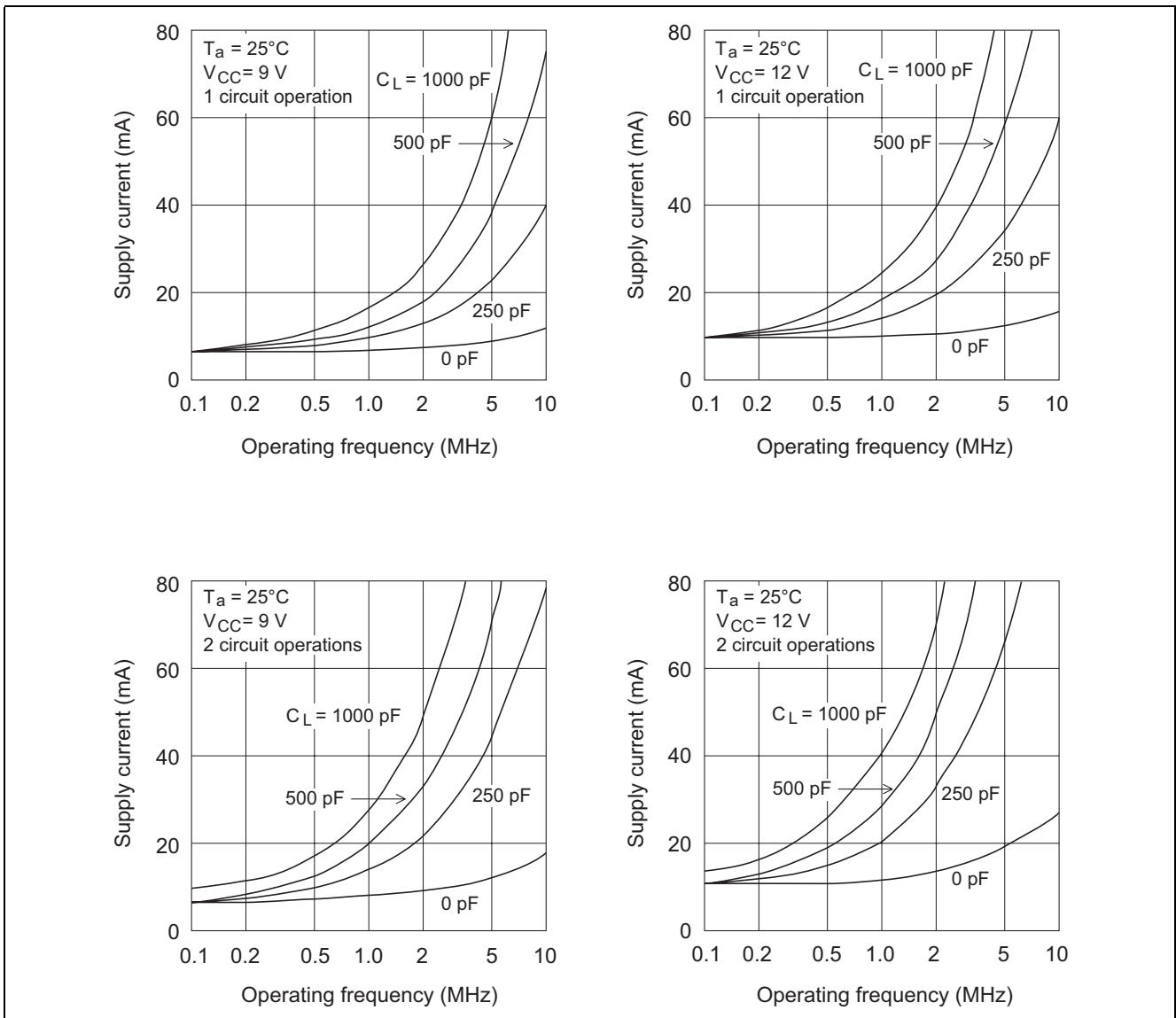
Output Timing Characteristics

HD29027

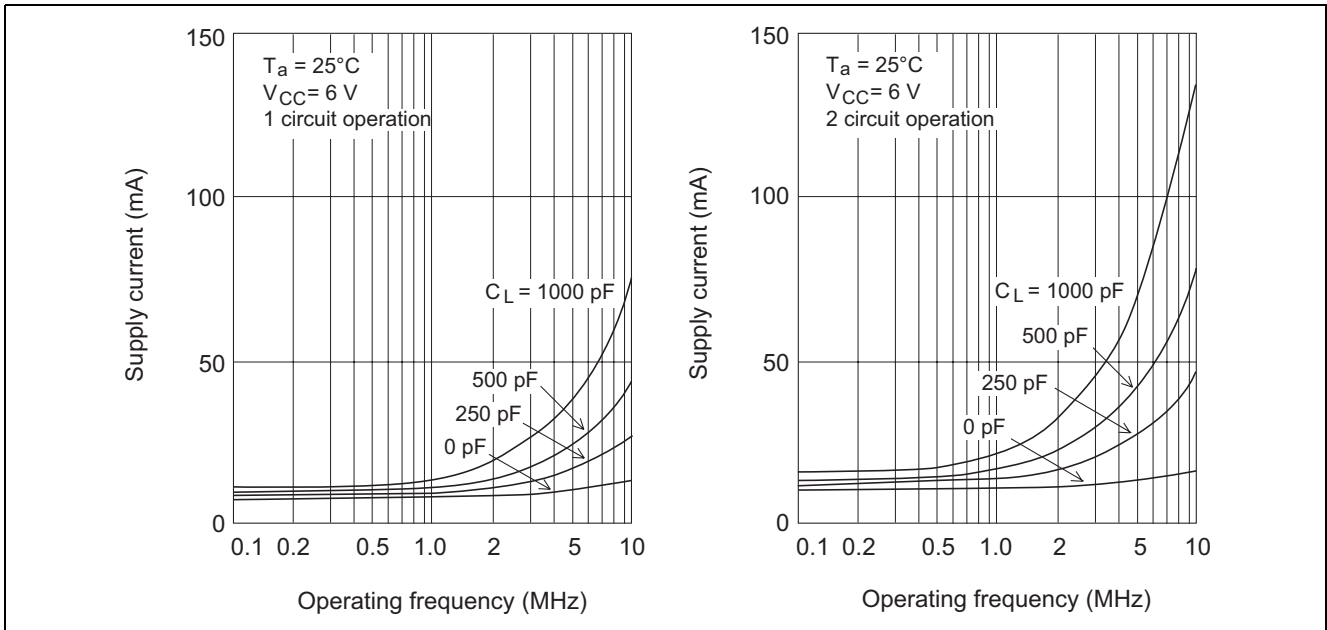


Typical Characteristic Curves

Supply current vs. operating frequency (HD29026A)



Supply current vs. operating frequency (HD29027)



Cautions (HD29026A only)

The short output rise and fall time, as well as the large output amplitude of this product tends to generate overshooting and undershooting. The connection of 5 to 15 Ω damping resistance (R_D) to the output as illustrated in figure 2 serves to increase the output rise and fall time, making it possible to reduce the chance of overshooting and undershooting. Figure 3 shows the characteristics that result for a damping resistance (R_D) of 10 Ω .

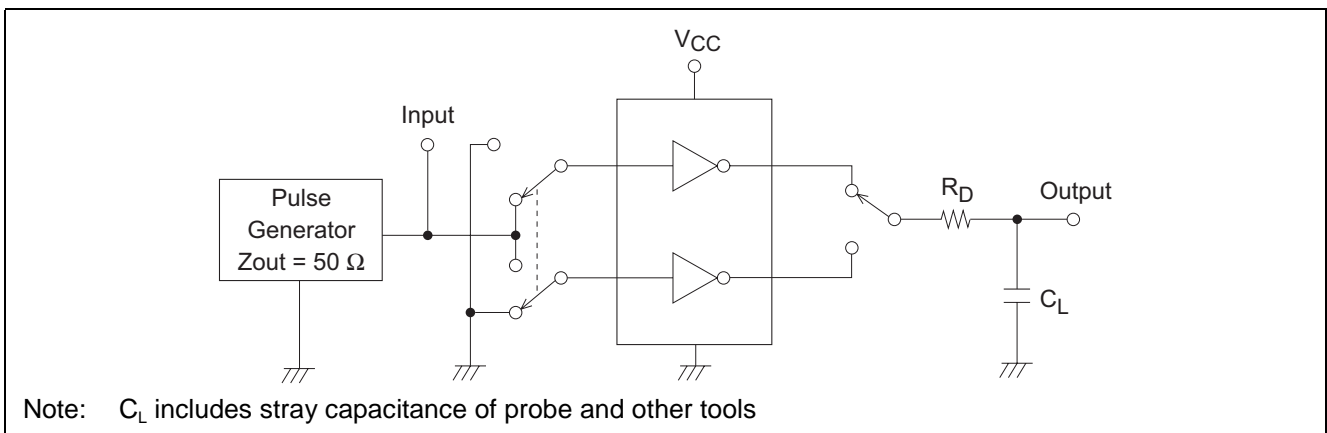


Figure 2

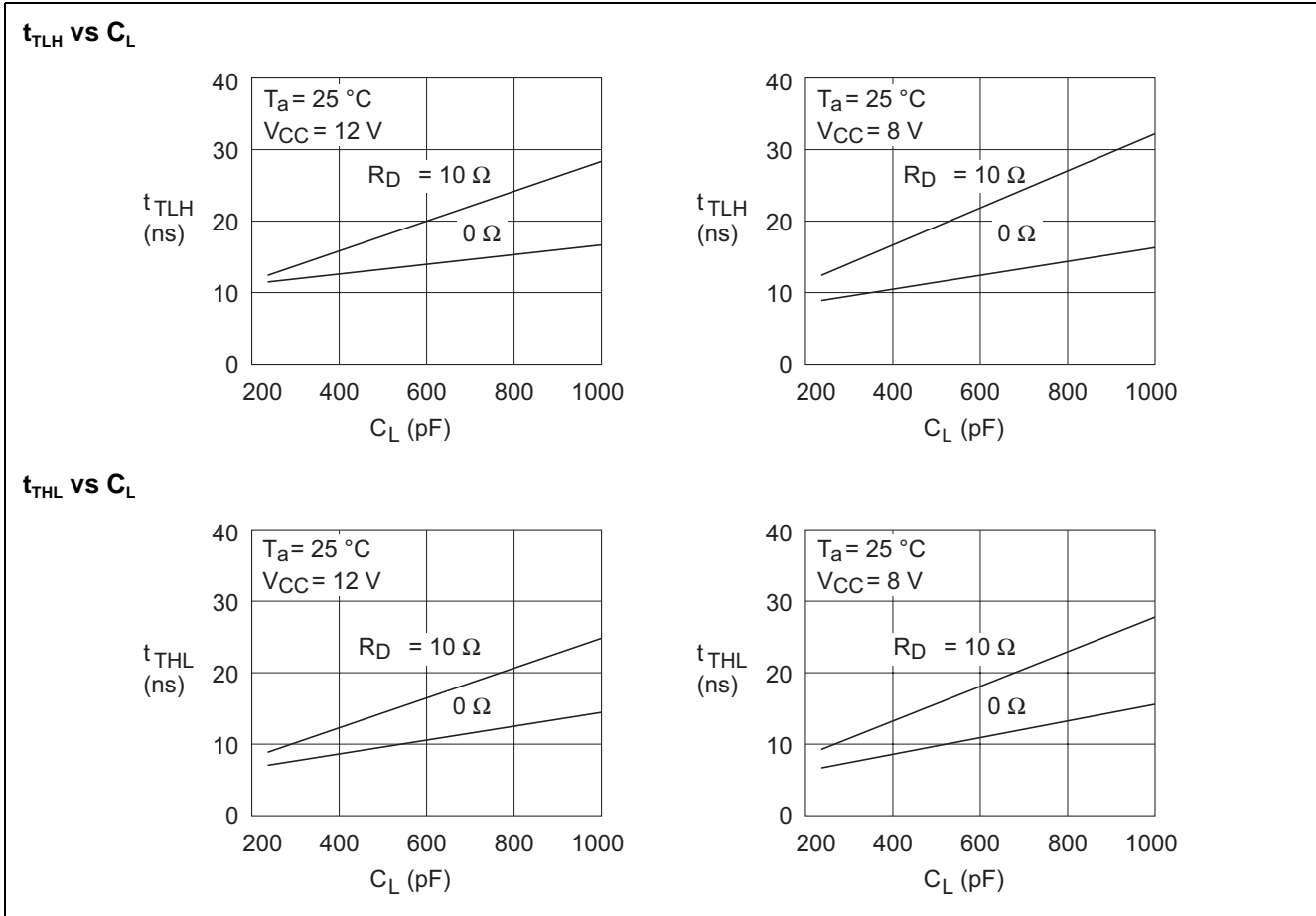
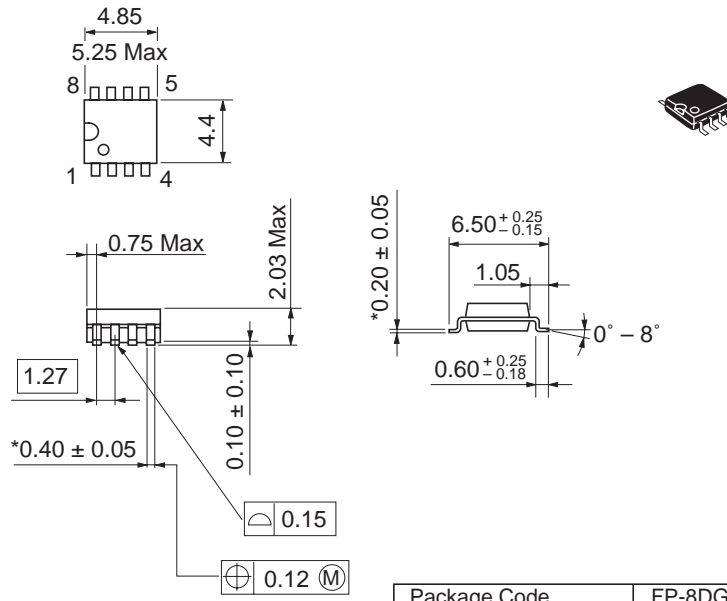


Figure 3

Package Dimensions

Unit: mm



*This dimension include Pd plating

Package Code	FP-8DGV
JEDEC	—
JEITA	Conforms
Mass (reference value)	0.10 g

Renesas Technology Corp. Sales Strategic Planning Div. Nippon Bldg., 2-6-2, Ohte-machi, Chiyoda-ku, Tokyo 100-0004, Japan

Keep safety first in your circuit designs!

1. Renesas Technology Corp. puts the maximum effort into making semiconductor products better and more reliable, but there is always the possibility that trouble may occur with them. Trouble with semiconductors may lead to personal injury, fire or property damage. Remember to give due consideration to safety when making your circuit designs, with appropriate measures such as (i) placement of substitutive, auxiliary circuits, (ii) use of nonflammable material or (iii) prevention against any malfunction or mishap.

Notes regarding these materials

1. These materials are intended as a reference to assist our customers in the selection of the Renesas Technology Corp. product best suited to the customer's application; they do not convey any license under any intellectual property rights, or any other rights, belonging to Renesas Technology Corp. or a third party.
 2. Renesas Technology Corp. assumes no responsibility for any damage, or infringement of any third-party's rights, originating in the use of any product data, diagrams, charts, programs, algorithms, or circuit application examples contained in these materials.
 3. All information contained in these materials, including product data, diagrams, charts, programs and algorithms represents information on products at the time of publication of these materials, and are subject to change by Renesas Technology Corp. without notice due to product improvements or other reasons. It is therefore recommended that customers contact Renesas Technology Corp. or an authorized Renesas Technology Corp. product distributor for the latest product information before purchasing a product listed herein.
The information described here may contain technical inaccuracies or typographical errors.
Renesas Technology Corp. assumes no responsibility for any damage, liability, or other loss rising from these inaccuracies or errors.
Please also pay attention to information published by Renesas Technology Corp. by various means, including the Renesas Technology Corp. Semiconductor home page (<http://www.renesas.com>).
 4. When using any or all of the information contained in these materials, including product data, diagrams, charts, programs, and algorithms, please be sure to evaluate all information as a total system before making a final decision on the applicability of the information and products. Renesas Technology Corp. assumes no responsibility for any damage, liability or other loss resulting from the information contained herein.
 5. Renesas Technology Corp. semiconductors are not designed or manufactured for use in a device or system that is used under circumstances in which human life is potentially at stake. Please contact Renesas Technology Corp. or an authorized Renesas Technology Corp. product distributor when considering the use of a product contained herein for any specific purposes, such as apparatus or systems for transportation, vehicular, medical, aerospace, nuclear, or undersea repeater use.
 6. The prior written approval of Renesas Technology Corp. is necessary to reprint or reproduce in whole or in part these materials.
 7. If these products or technologies are subject to the Japanese export control restrictions, they must be exported under a license from the Japanese government and cannot be imported into a country other than the approved destination.
Any diversion or reexport contrary to the export control laws and regulations of Japan and/or the country of destination is prohibited.
 8. Please contact Renesas Technology Corp. for further details on these materials or the products contained therein.
-



RENESAS SALES OFFICES

<http://www.renesas.com>

Renesas Technology America, Inc.

450 Holger Way, San Jose, CA 95134-1368, U.S.A
Tel: <1> (408) 382-7500 Fax: <1> (408) 382-7501

Renesas Technology Europe Limited.

Dukes Meadow, Millboard Road, Bourne End, Buckinghamshire, SL8 5FH, United Kingdom
Tel: <44> (1628) 585 100, Fax: <44> (1628) 585 900

Renesas Technology Europe GmbH

Dornacher Str. 3, D-85622 Feldkirchen, Germany
Tel: <49> (89) 380 70 0, Fax: <49> (89) 929 30 11

Renesas Technology Hong Kong Ltd.

7/F., North Tower, World Finance Centre, Harbour City, Canton Road, Hong Kong
Tel: <852> 2265-6688, Fax: <852> 2375-6836

Renesas Technology Taiwan Co., Ltd.

FL 10, #99, Fu-Hsing N. Rd., Taipei, Taiwan
Tel: <886> (2) 2715-2888, Fax: <886> (2) 2713-2999

Renesas Technology (Shanghai) Co., Ltd.

26/F., Ruijin Building, No.205 Maoming Road (S), Shanghai 200020, China
Tel: <86> (21) 6472-1001, Fax: <86> (21) 6415-2952

Renesas Technology Singapore Pte. Ltd.

1, Harbour Front Avenue, #06-10, Keppel Bay Tower, Singapore 098632
Tel: <65> 6213-0200, Fax: <65> 6278-8001